

# Typhoon<sup>TM</sup>

## Pool Pump

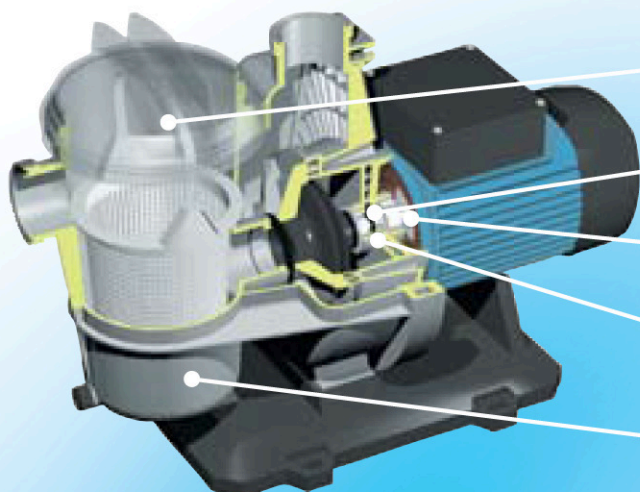
Heavy duty, powerful pool pumps  
delivering optimum performance  
for rapid pool and spa water circulation



### Features & Benefits

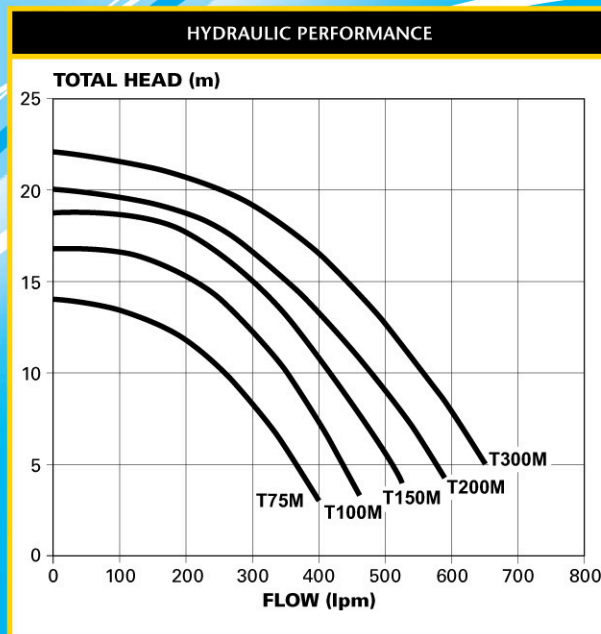
- Designed for durability and long life using corrosion resistant, UV stabilised materials
- Self priming pump for trouble-free operation and air handling
- Built in thermal overload protection protects motor in the event of low voltage or jammed pump
- Strong performance and high flow provides optimum water circulation
- Stainless steel pump shaft suited for salt water pools
- Reinforced pump base keeps the motor high and dry for corrosion protection
- Extra large leaf basket handles large leaves and debris with ease
- Large clear leaf basket lid provides easy visual inspection of contents
- Barrel union connections for easy installation
- Suits swimjet and spa installations where high water flow is required

**Guarantee – 3 years**



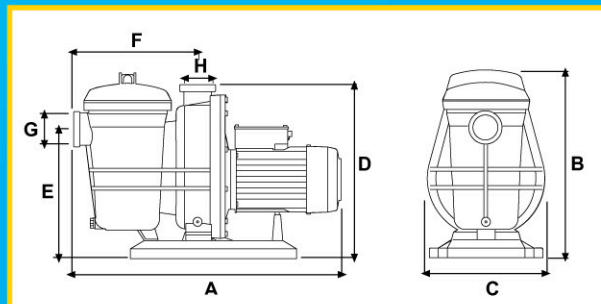
- Large, easy to remove, leaf basket cover for convenience and easy cleaning
- Carbon / Ceramic mechanical seal
- Stainless steel motor shaft for corrosion resistance in salt water pools
- Impeller made of glass-filled Noryl® for high abrasion resistance
- Corrosion resistant body, foot and diffuser from glass-filled polypropylene construction.

ELECTRICAL DATA					
Model – Typhoon	T75M	T100M	T150M	T200M	T300M
Voltage (V)	220-250				
Supply Frequency/Phase	50Hz / 1				
Run Current (A)	4.2	6.2	7.9	9.2	10.8
Motor Input Power (W)/hp	1000/1.3	1500/2	1900/2.5	2200/2.9	2600/3.5
Motor Output Power (W)/hp	550/0.7	750/1	1100/1.5	1500/2	2200/2.9
RPM	2900				
Enclosure Class (IP)	55				
Insulation Class	F				
Approval No.	W2442				



OPERATING LIMITS	
Water Temperature	Max 35°C
Ambient Temperature	Max 50°C

DIMENSIONS (mm)											
Model	A	B	C	D	E	F	G	H	Inlet P.V.C. (mm)	Outlet P.V.C. (mm)	Net Weight (Kg)
Typhoon T75M											14
Typhoon T100M											15
Typhoon T150M	612	429	268	397	295	284	63	63	40/50	40/50	18
Typhoon T200M											21
Typhoon T300M											23



**Datasheet Disclaimer:**  
 All details in this leaflet are accurate at the time of printing. This literature is not a complete guide to product usage. Further information is available from your Monarch Series dealer, Davey Customer Service Centre and from the relevant product Installation & Operating Instructions. This datasheet must be read in conjunction with the relevant Installation & Operating Instructions and all applicable statutory requirements. Product specifications may change without notice. © Davey is a registered trademark of Davey Water Products Pty Ltd. © Davey Water Products Pty Ltd 2009.

